



Fast wireless car charger & motorized mount



TLL151201- User manual

INTO YOUR FUTURE

Thank you for choosing us!
Please read this user manual carefully before using the product.

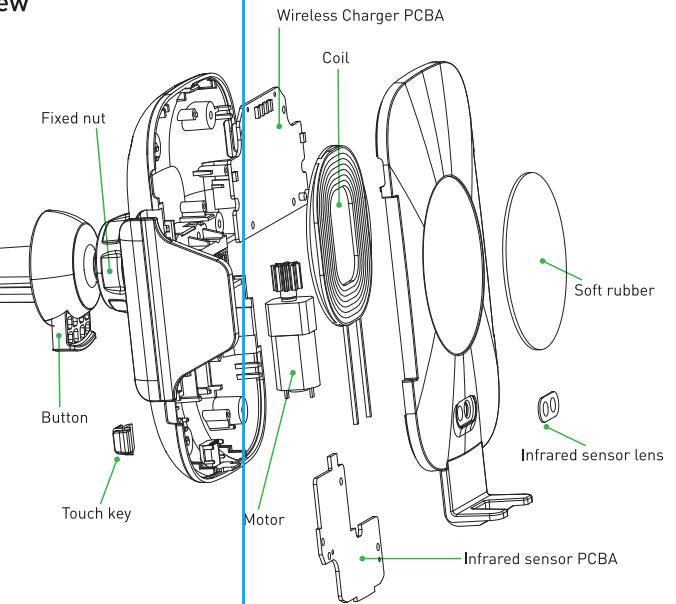
Product specifications:
Input current: 9V / 1.67A, 5V / 2A
Input port: USB Type-C
Cable length: 1m
Output power: Adaptive, 5W / 7.5W /10W (max 1.2A)
Output current: 9V / 1.2A, 5V / 1.5A
Protections: FOD(Foreign Object Detection), Over Voltage, Over Current, Over Temperature (80°C)
Material: ABS
Mounting: Air vent, Dashboard, Windshield
Available colors: Black
Product compatibilities: Fast charging supported by:
iPhone 8/8 Plus/X/XS/XS Max/XR
Samsung S9/S9+/S8/S8+/S7/S7 edge/Note8/Note9/Note5
Standard wireless charging for all Qi enabled devices

Note: Min. QC2.0 fast charger adapter required for fast wireless charging (not included)

Package includes: 1 x Wireless car charger & automatic mount
1 x 1m Type-C Cable
1 x Air Vent Mount
1 x Suction holder
Product dimensions: 126 x 70 x 21mm
Product weight: 100gr

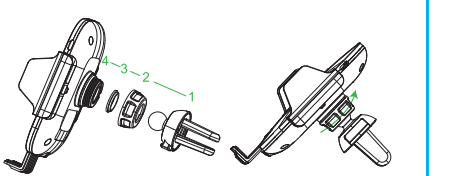
Compatible devices:
All mobile phones without Qi standard will require an additional receiver (not included)

Product overview



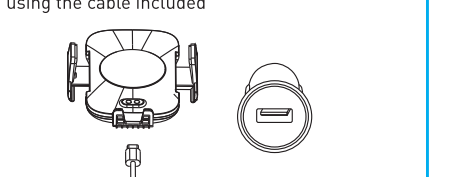
Installation steps

1. Air vent installation



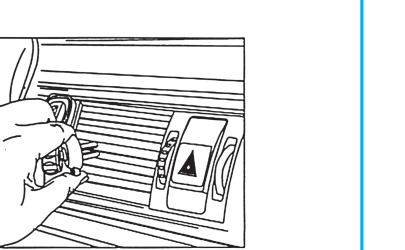
Follow the arrows to install 4 parts
Adjust the screw cap to the best active status

2. Connect the wireless charger to the car adapter using the cable included

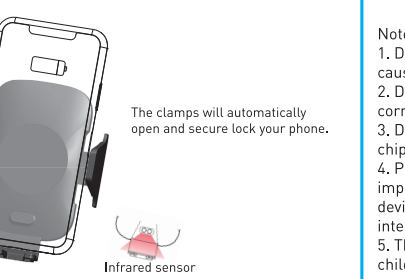


Min. QC2.0 fast charger adapter required for fast wireless charging (not included)

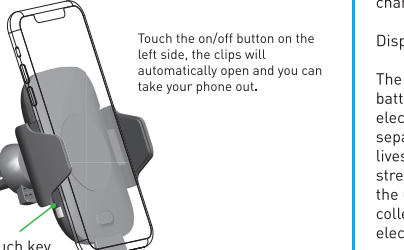
3. Press the button of the clip to fix it in the air vent, adjust the angle and tighten the fixed nut.



4. Place smartphone



5. Take off smartphone



Notes ⚠

- Do not disassemble or throw into fire or water, to avoid causing a short circuit.
- Do not use wireless charger in severely hot, humid or corrosive environments.
- Do not place too close to objects with magnetic stripe or chip (ID card, bank cards etc.) to avoid demagnetization.
- Please keep a distance at least of 20 cm between implantable medical devices (pacemakers, implantable devices etc.) and the wireless charger, to avoid potential interference.
- This product is not a toy, please keep it away from children to avoid unnecessary accidents.

The images from this manual are sketch maps, used for illustrating the instructions. The packet includes: wireless charger, power cable, user's manual.

Disposal and recycling information

The crossed-out wheeled-bin symbol on your product, battery, literature or packaging reminds you that all electronic products and batteries must be taken to separate waste collection points at the end of their working lives; they must not be disposed of in the normal waste stream with household garbage. It is the responsibility of the user to dispose of the equipment using a designated collection point or service for separate recycling of waste electrical and electronic equipment (WEEE) and batteries

ABN Systems International
 Str. Marinariilor, nr.29
 Sector 1, Bucuresti, Romania
 004,021,233,09,95
 office@tellur.com
 office@abnsystems.ro
 www.tellur.com

Declaration of conformity

We, ABN SYSTEMS INTERNATIONAL S.R.L., Bucharest, Sector 1, Marinariilor street, nr. 31, as a producer, we declare on own responsibility that the product below:

Product description	Brand	Product code
Wireless car charger and motorized mount WCCM, black	Tellur	TLL151201

It does not endanger life, health, work safety, does not have a negative impact on the environment and corresponds to the standards stated in the manufacturer's declaration of conformity. The product is in compliance with the following standards and / or other normative documents:

- RED - 2014/53/EU**
 Applied standards:
 EN 62311:2008
 EN 60950-1:2006+A11:2009
 A1:2010+A12:2011+A2:2013
 EN 301 489-1 V2.1.1
 EN 301 489-3 V2.1.1
 EN 303 417 V1.1.1
-

RoHS - 2011/65/EU
The product bears CE mark, applied in 2018

Name: George Barbu
Function: General manager
Place and date: Bucharest
20-12-2018
Signed: